

Stabilized Telehandlers

TF35.11TT-145

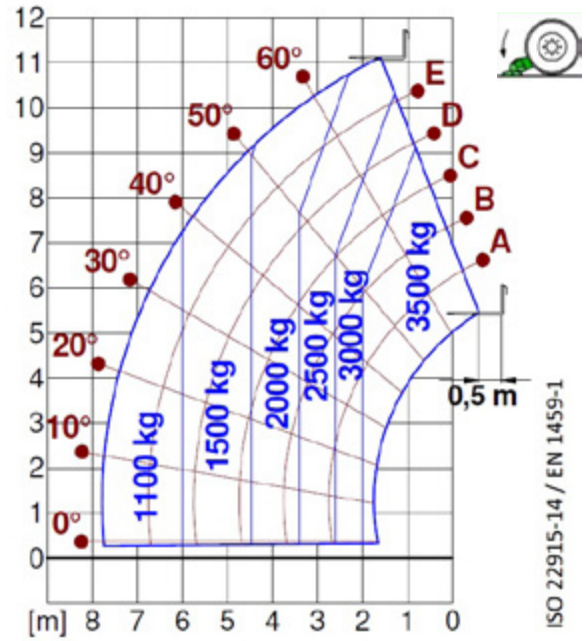
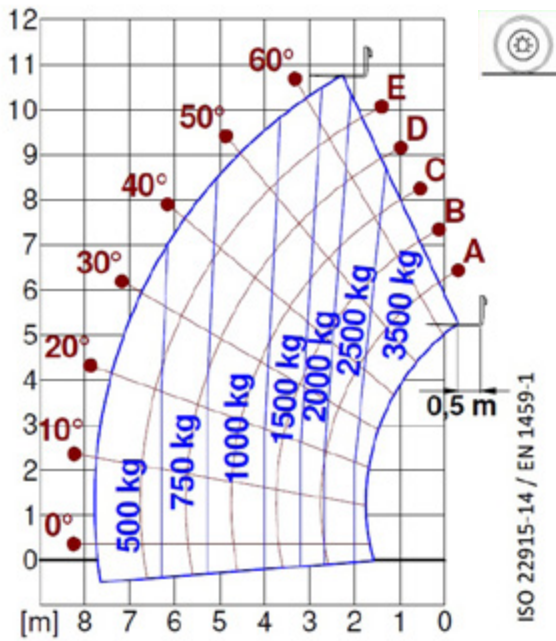




| PERFORMANCE AND FEATURES | TF35.11 TT-145 | | |
|--|-----------------------------|--|--|
| Performance | | | |
| Total unladen weight (kg) | 9100 | | |
| Maximum capacity (kg) | 3500 | | |
| Lifting height (m) | 11 | | |
| Maximum reach (m) | 7,8 | | |
| Maximum operating height (m) | 9 | | |
| Maximum operating reach (m) | 2 | | |
| Capacity at maximum height (kg) | 2500 | | |
| Capacity at maximum reach (kg) | 1000 | | |
| Lateral boom movement (mm) | ± 310 | | |
| Tilting correction (%) | ± 8 | | |
| Boom sections | 3 | | |
| PowerTrain | | | |
| Turbo motor | DEUTZ TCD3.6 | | |
| Displacement/cylinders | 3600/4 | | |
| Engine Power (kW/HP) | 105/143 | | |
| Anti-pollution technology | STAGE V, SCR+DPF+DOC | | |
| Reversible fan | ● | | |
| Maximum speed (km/h) | 40 | | |
| Fuel tank (l) | 140 | | |
| AdBlue tank (l) | 18 | | |
| Hydrostatic transmission | ● - 2V | | |
| EPD | Plus | | |
| Auto-revving joystick | ● | | |
| Axles - Reducers | Drop portal - RR700 | | |
| Machine brakes | Dry discs | | |
| Automatic parking brake | ● | | |
| Hydraulic | | | |
| Hydraulic pump | LS+FS | | |
| Flow rate/pressure (l/min - bar) | 150 - 250 | | |
| Hydraulic tank | 100 | | |
| Hydraulic outlet at the top of the boom | ● | | |
| Rear hydraulic outlets | ○ | | |
| Cab | | | |
| Cab configuration | ECO | | |
| ASCS Adaptive Stability Control System | Light | | |
| FOPS LIV II cab | ● | | |
| ROPS cab | ● | | |
| Cab commands | Electronic joystick control | | |
| Tilting Cab | - | | |
| Reverse shuttle | Dual reverse | | |
| Configuration | | | |
| Cab suspension | - | | |
| Boom suspension | ○ | | |
| Suspension on axles | - | | |
| Work headlights on cab | ● | | |
| Sun blind | ○ | | |
| Tac-lock | ● | | |
| Provision for a platform | ○ | | |
| Two floating forks | ● | | |
| Inching-Control | ● | | |
| Four-wheel drive | ● | | |
| Four-wheel steering | ● | | |
| Three steering modes | ● | | |
| Standard tyres | 405/70-24 | | |
| Optional tyres | 405/70-20 | | |
| Stabilisers | Narrow | | |
| Turret rotation | - | | |
| Type approval as an agricultural tractor | ○ | | |
| Approval with PNEUMATIC braking | ○ | | |
| Approval with HYDRAULIC braking | ○ | | |
| PTO | - | | |
| 3-point linkage | - | | |

- Not Available
● Standard
○ Optional

Load charts

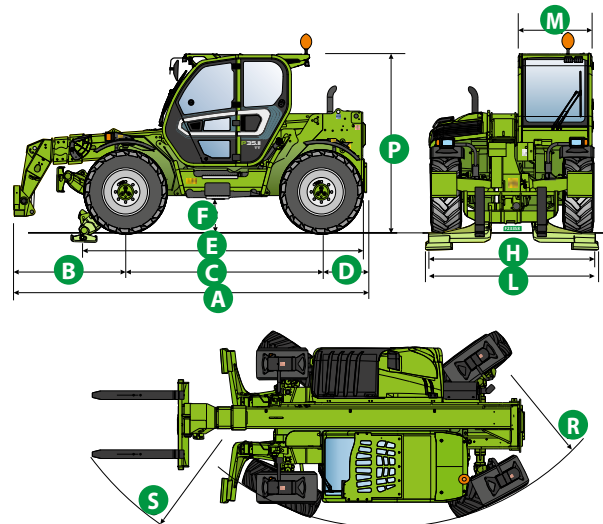


TF35.11

Dimensions



| | TF35.11 TT 145 | | |
|--------|-------------------|--|--|
| A (mm) | 5150 | | |
| B (mm) | 1634 | | |
| C (mm) | 2810 | | |
| D (mm) | 705 | | |
| E (mm) | 4104 | | |
| F (mm) | 460 | | |
| H (mm) | 2310 | | |
| L (mm) | 2365 | | |
| M (mm) | 1010 | | |
| P (mm) | 2530 | | |
| R (mm) | 3985 | | |
| S (mm) | 5200 | | |



Your Merlo dealer



MERLO S.P.A.

Via Nazionale, 9
12010 S. Defendente di Cervasca, (Cuneo) Italia
Tel. +39 0171 614111
Fax +39 0171 684101

info@merlo.com
www.merlo.com

